

# SO-QDD-4C-CUx-4

QSFP-DD Direct Attach Cable (DAC) 400G Ethernet, AWG32/30, CMIS4, 0.5-5m

## OVERVIEW

The SO-QDD-4C-CUx-4 is an Active Electrical Cable (AEC) solution for short-range data communication and interconnect applications. The solution consists of two QSFP-DD transceivers connected via a coax cable of different lengths for 400Gbps Ethernet interconnects. The electrical interface of the module is compliant with the 400GAUI-8 interface and compliant with QSFP-DD MSA.

The SO-QDD-4C-CUx-4 cables have an I2C interface with Integrated Digital Diagnostic Monitoring according to the Common Management Interface Specification (CMIS 4.0).

The SO-QDD-4C-CUx-4 is provided in lengths from 0.5 to 5 meters (1.6 to 16.4 ft).

## PRODUCT FEATURES

- 400G to 400G interconnect
- QSFP-DD compliant connectors
- 400GAUI-8 electrical interface
- Thin and flexible cables (AWG32 and AWG30)
- CMIS4.0 compliant
- I<sup>2</sup>C management interface
- BER < 10<sup>-15</sup> (post FEC)
- 0.5m to 5 meters (1.6 to 16.4 ft)
- Hot pluggable
- Fully RoHS2 compliant for environmental protection
- Low power consumption; <4W per side
- Low latency; 15nm per end + 4.5nm/m
- Operating temperature 0°C to +70°C (32°F to +158°F)
- Storage temperature -40°C to +85°C (-40°F to +185°F)

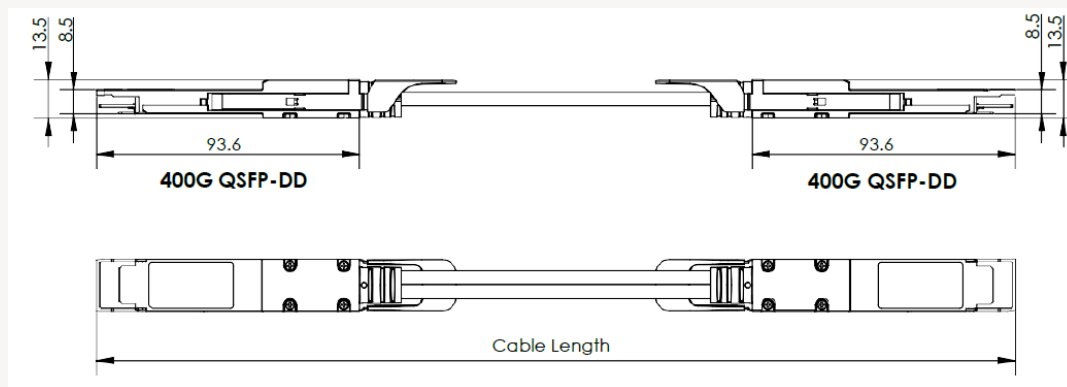
## APPLICATIONS

- Data Center cabling infrastructure
- Network Attached Storage (NAS)
- Hub, switches, routers, servers

## ORDERING INFORMATION

Ordering number	Description
SO-QDD-4C-0CU5-4	QSFP-DD Active Electric Cable (AEC) 400G Ethernet, AWG32, CMIS4, 0.5m
SO-QDD-4C-CU1-4	QSFP-DD Active Electric Cable (AEC) 400G Ethernet, AWG32, CMIS4, 1m
SO-QDD-4C-1CU5-4	QSFP-DD Active Electric Cable (AEC) 400G Ethernet, AWG32, CMIS4, 1.5m
SO-QDD-4C-CU2-4	QSFP-DD Active Electric Cable (AEC) 400G Ethernet, AWG32, CMIS4, 2m
SO-QDD-4C-2CU5-4	QSFP-DD Active Electric Cable (AEC) 400G Ethernet, AWG32, CMIS4, 2.5m
SO-QDD-4C-CU3-4	QSFP-DD Active Electric Cable (AEC) 400G Ethernet, AWG32, CMIS4, 3m
SO-QDD-4C-CU5-4	QSFP-DD Active Electric Cable (AEC) 400G Ethernet, AWG30, CMIS4, 5m

## MECHANICAL DRAWING



Units: mm

Smartoptics makes no warranties or representations, expressed or implied, of any kind relative to the information or any portion thereof contained in this document or its adaptation or use, and assumes no responsibility or liability of any kind, including, but not limited to, indirect, special, consequential or incidental damages, for any errors or inaccuracies contained in the information or arising from the adaptation or use of the information or any portion thereof. The information in this document is subject to change without notice.